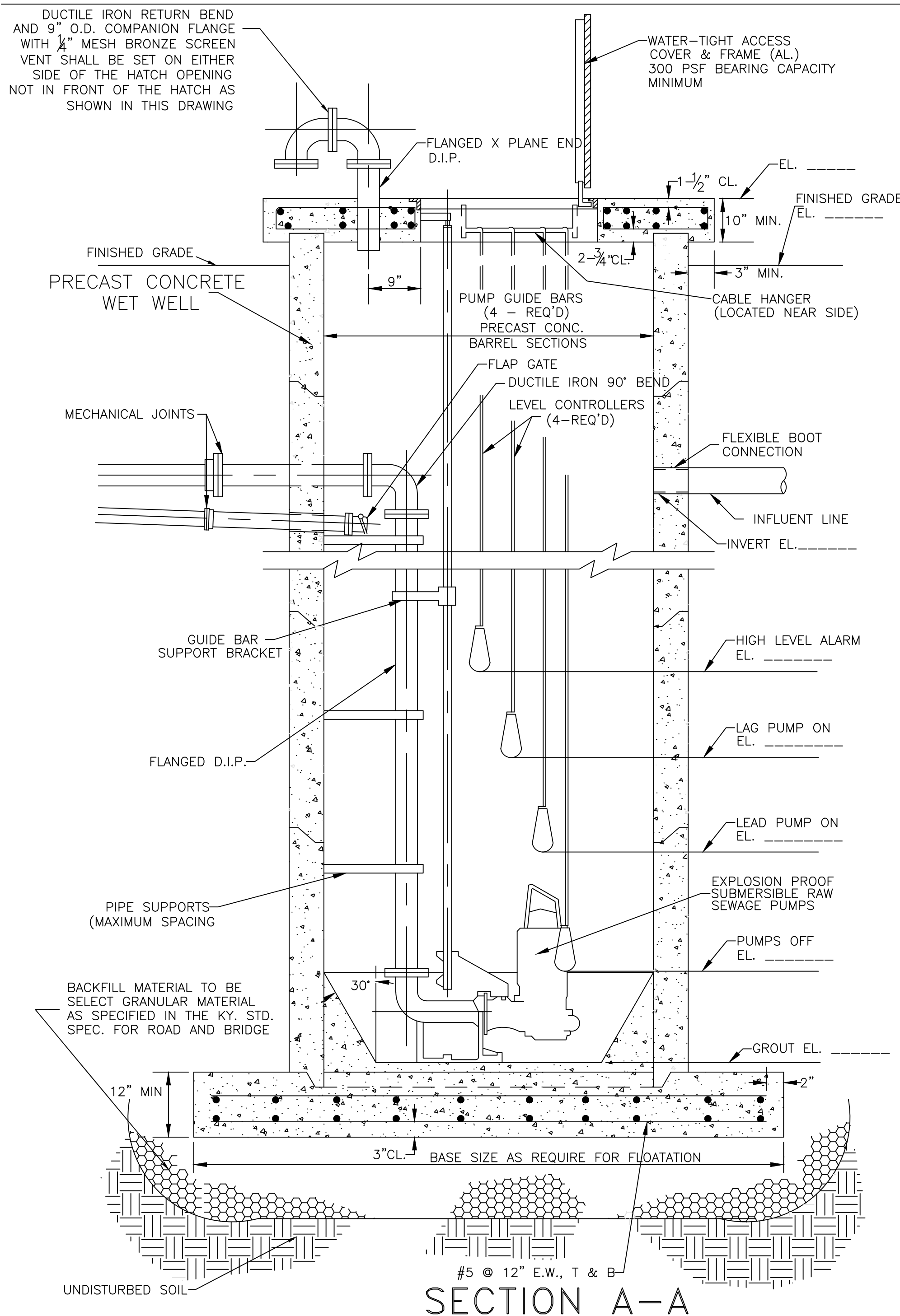
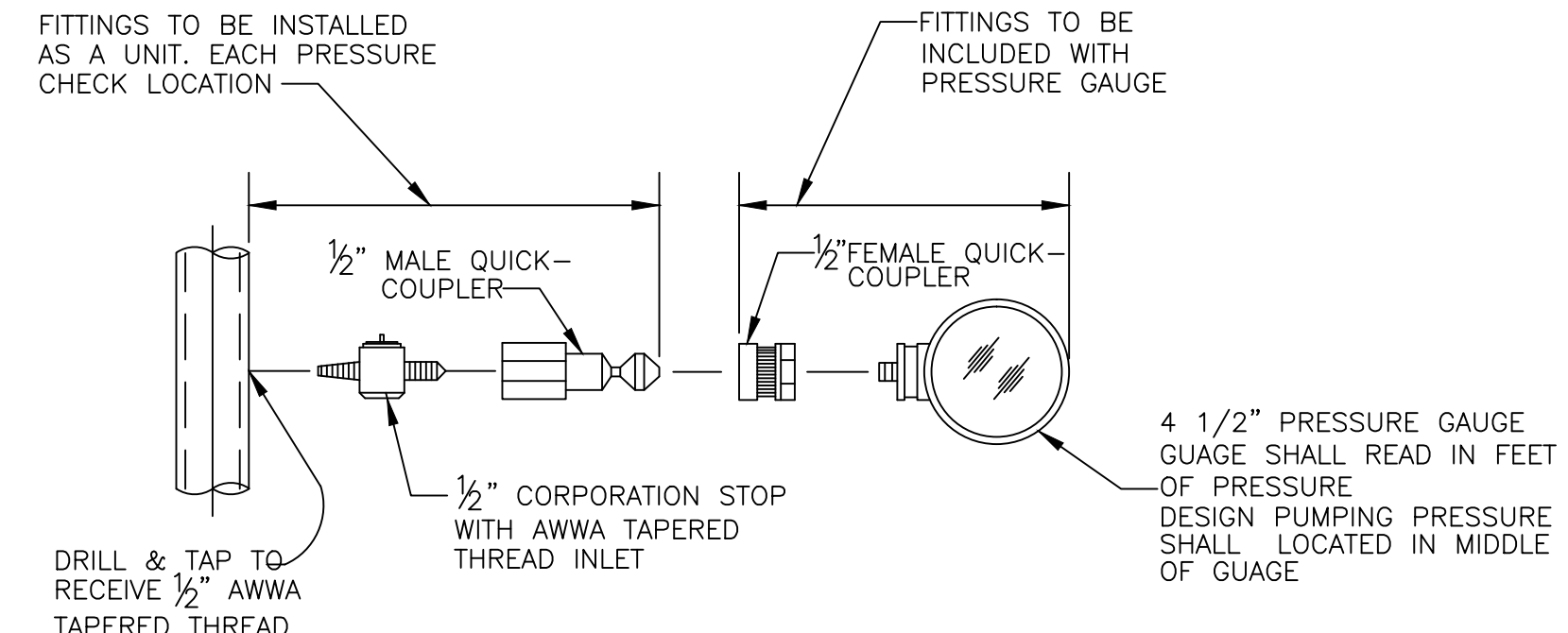


DATE: 8/24/01 NOT TO SCALE

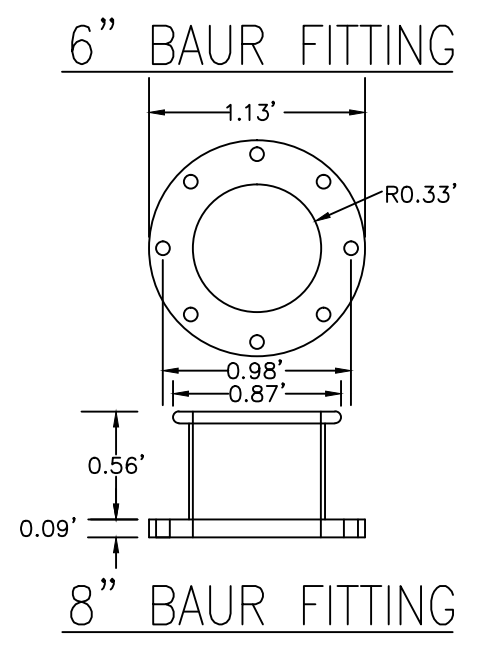
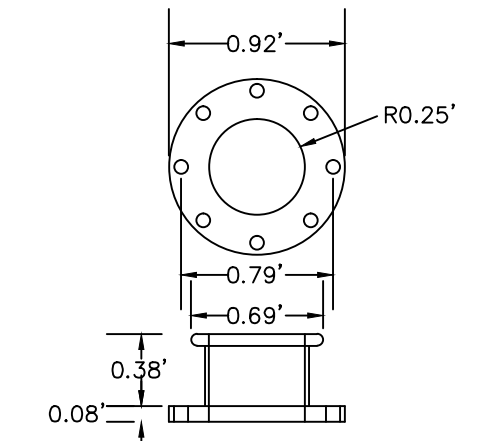
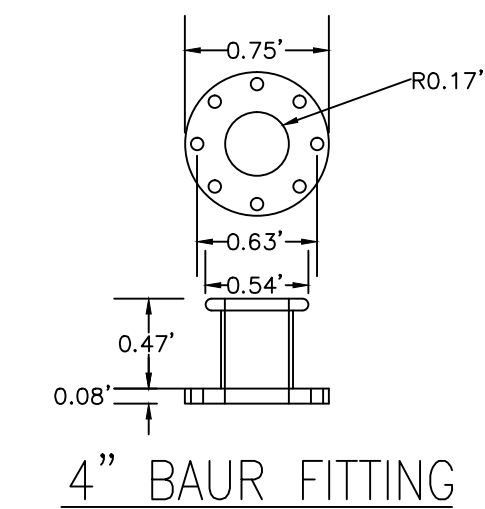
CMOM DETAILS\LIFT STATION VALVE VAULT.DWG



LIFT STATION DETAIL

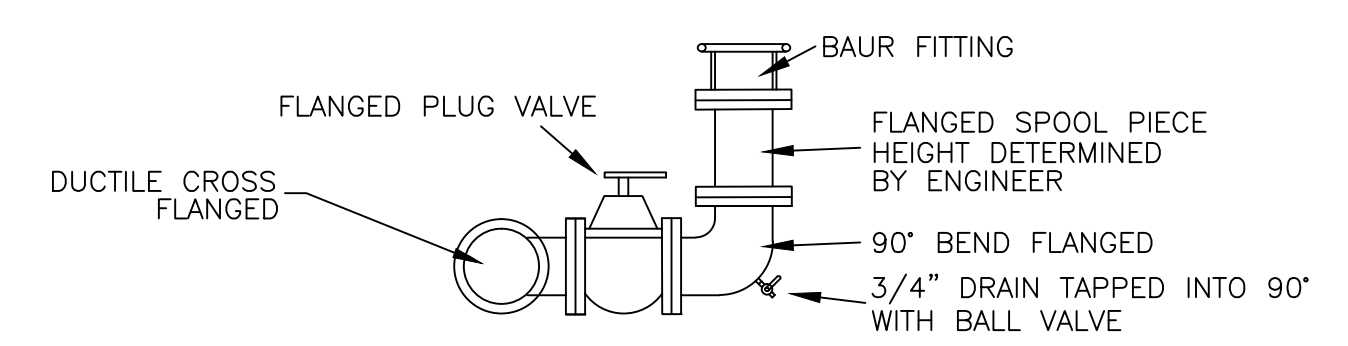


PRESSURE GAUGE DETAIL



PUMPS FOR FITTINGS.

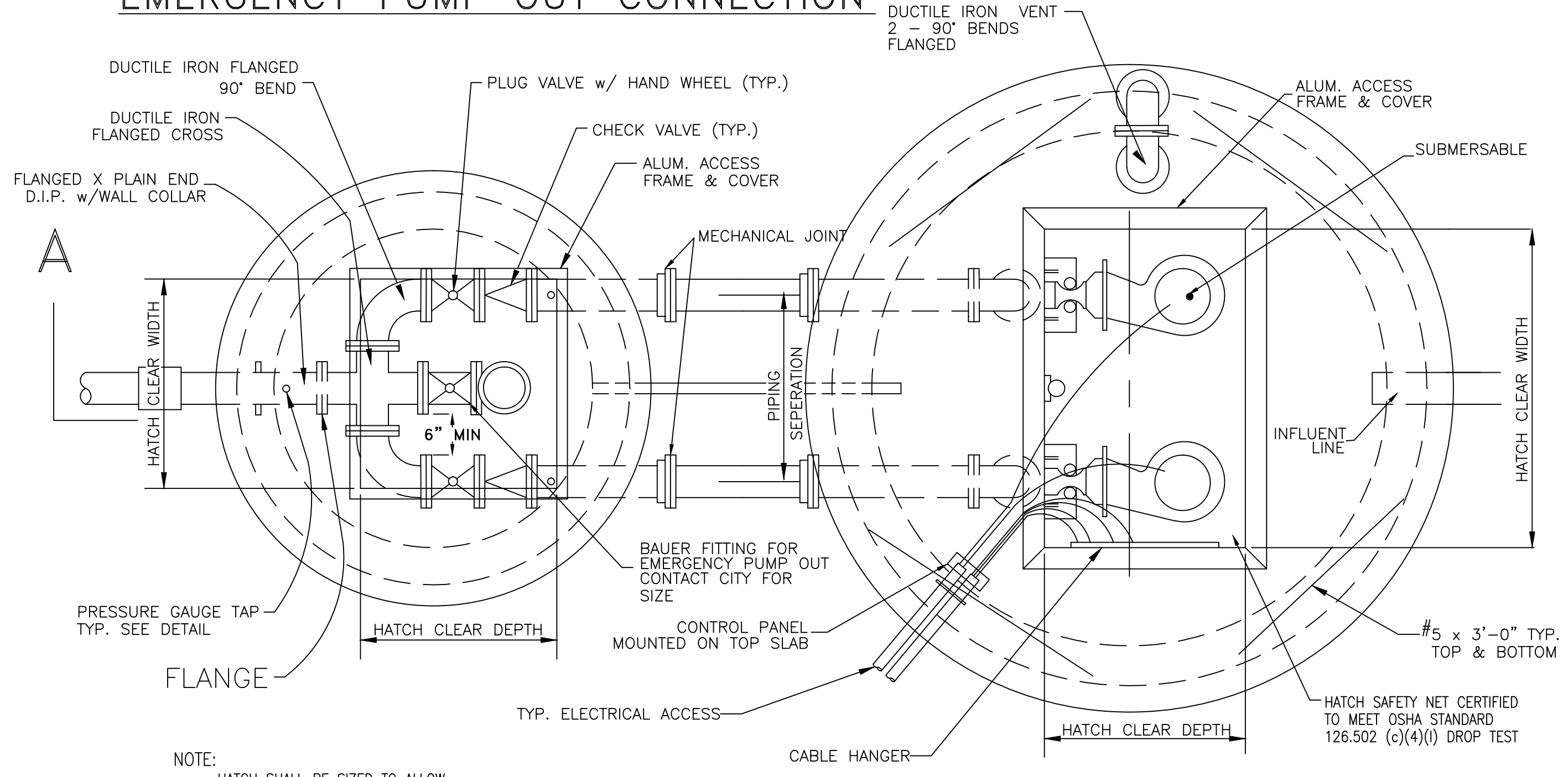
EMERGENCY PUMP OUT CONNECTION DETAIL



EMERGENCY PUMP OUT CONNECTION

BAUR FITTING SCHEDULE

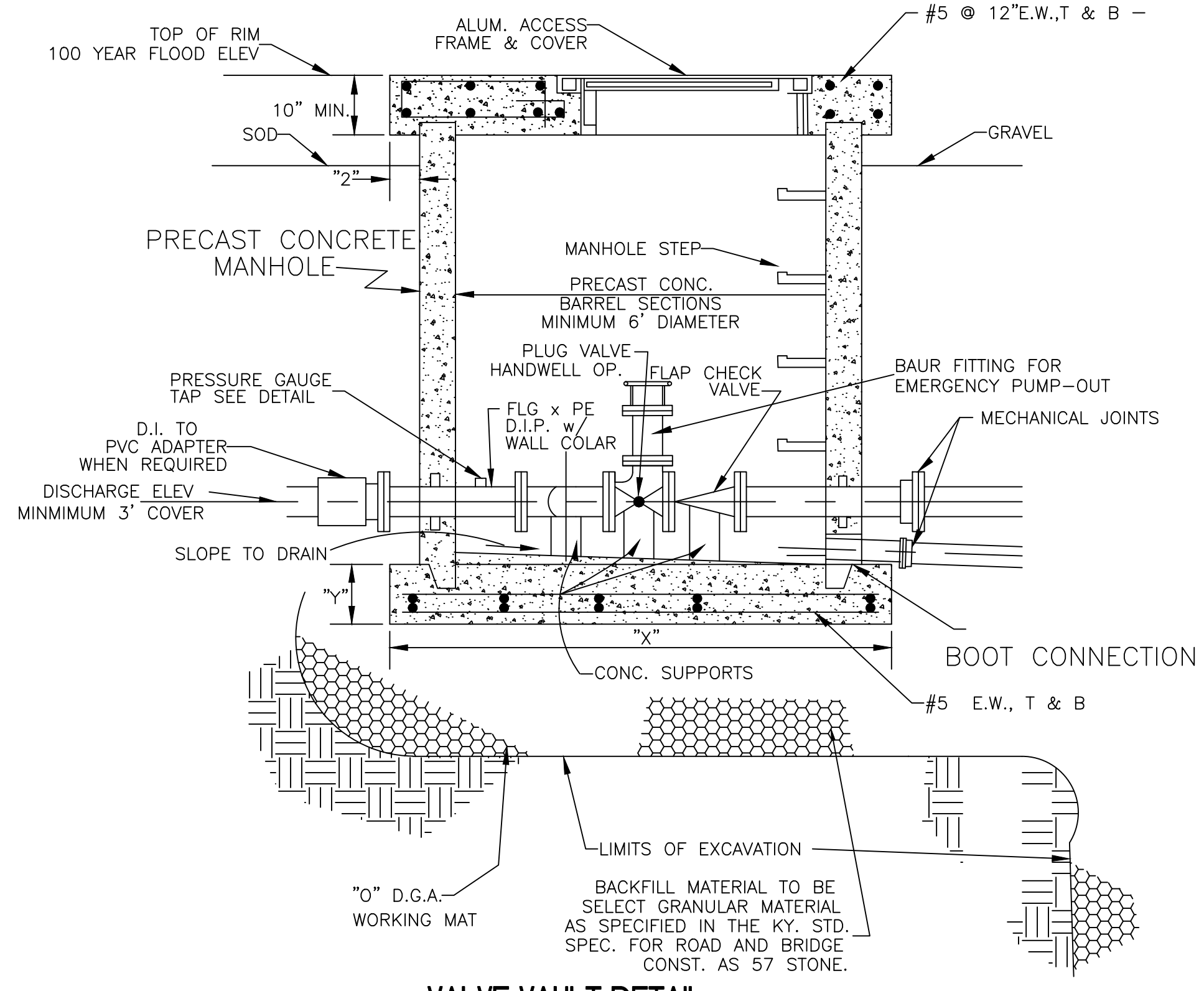
4" FORCEMAIN - 4" FITTING	REFER TO STANDARD DETAIL No 2700.17.1 FOR BAUR FITTING DIMENSIONS
6" FORCEMAIN - 6" FITTING	
8" FORCEMAIN - 8" FITTING	
LARGER THAN 8" FORCEMAIN - 8" FITTING	



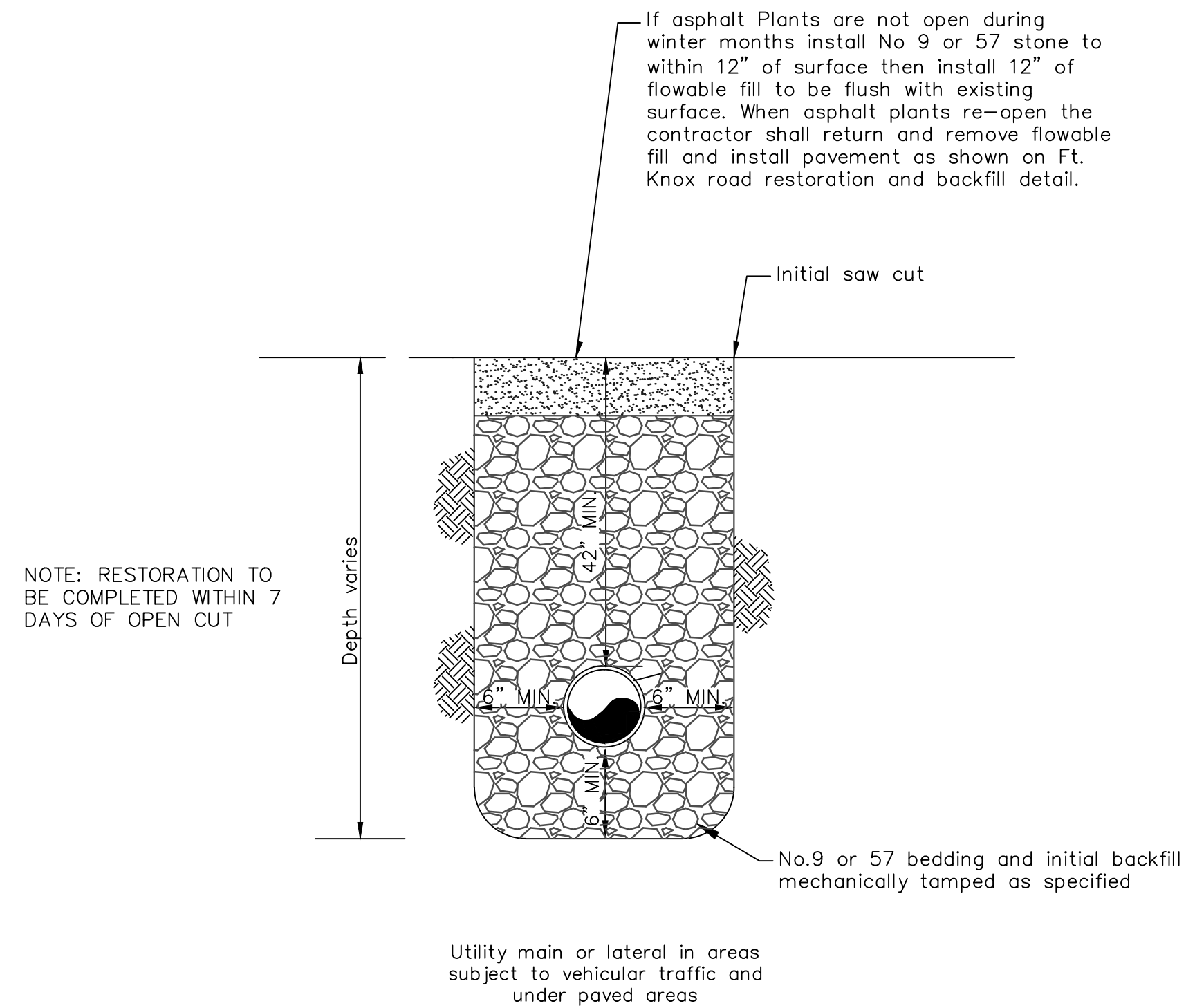
PLAN

NOTE: HATCH SHALL BE SIZED TO ALLOW REMOVAL AND REPLACEMENT OF ALL VALVES AND PIPING WITHIN THE VALVE VAULT

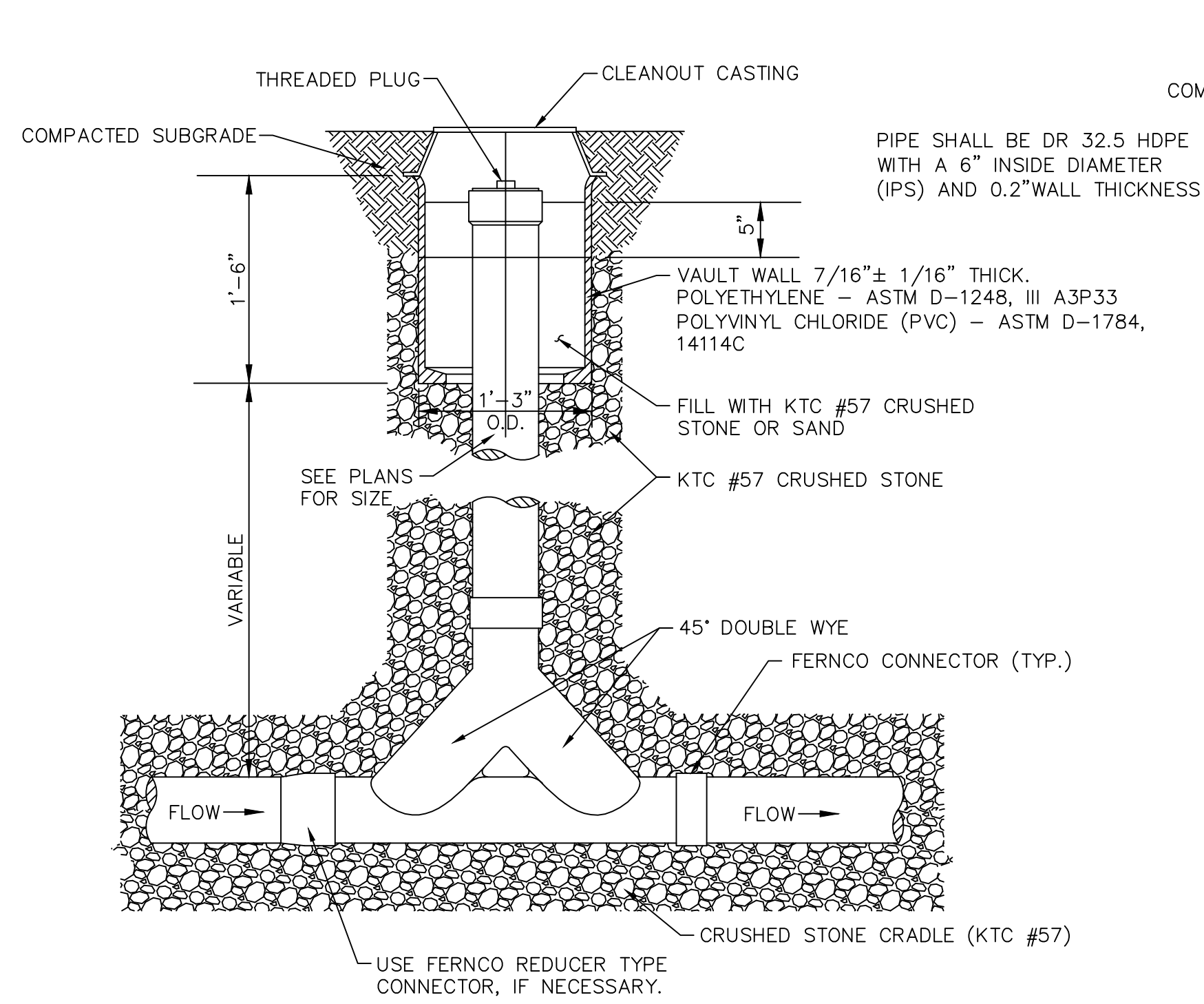
NOTE: HATCH SHALL BE SIZED TO ALLOW REMOVAL AND REPLACEMENT SUBMERSIBLE PUMPS WITHOUT ENTRY INTO WET WELL



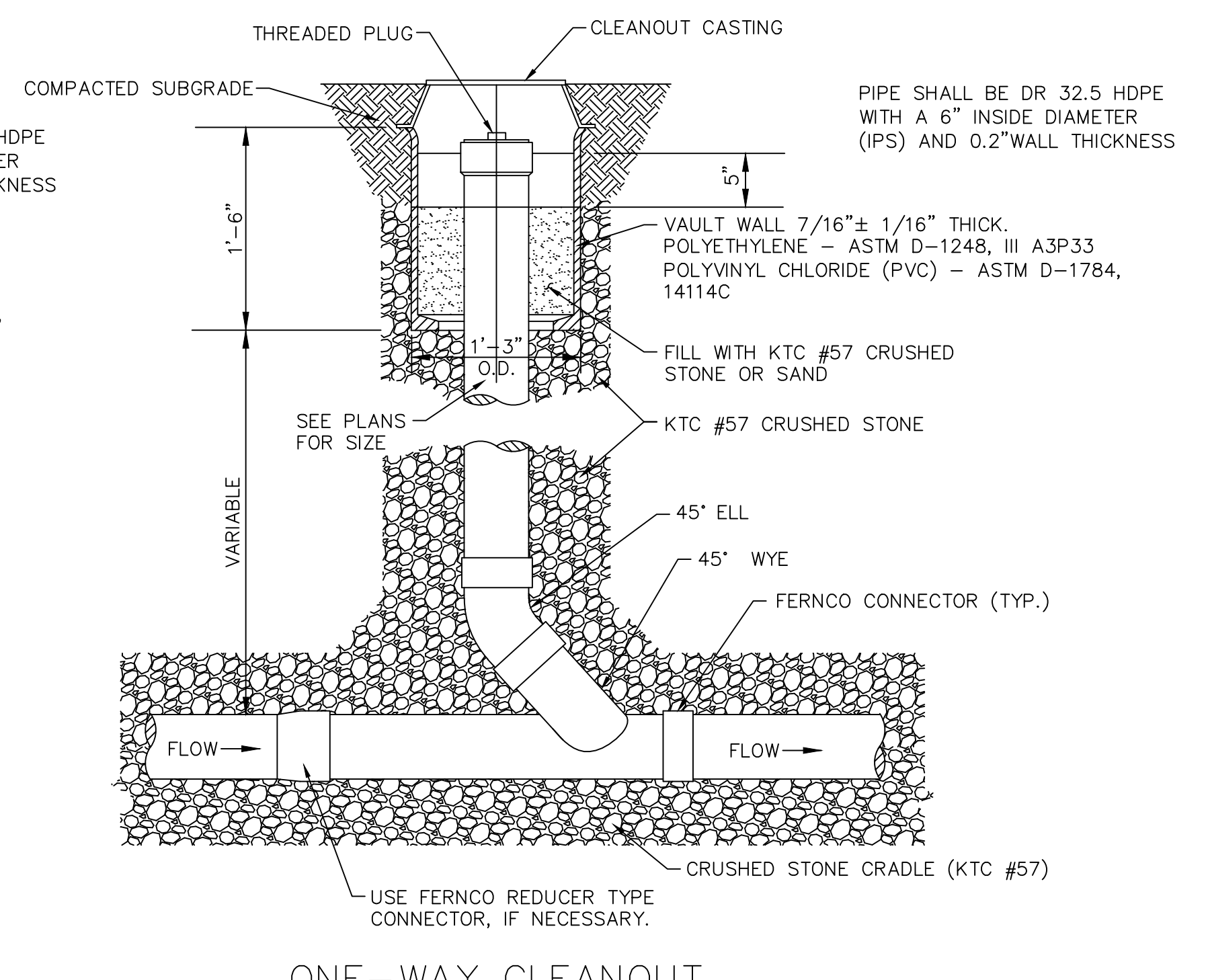
VALVE VAULT DETAIL



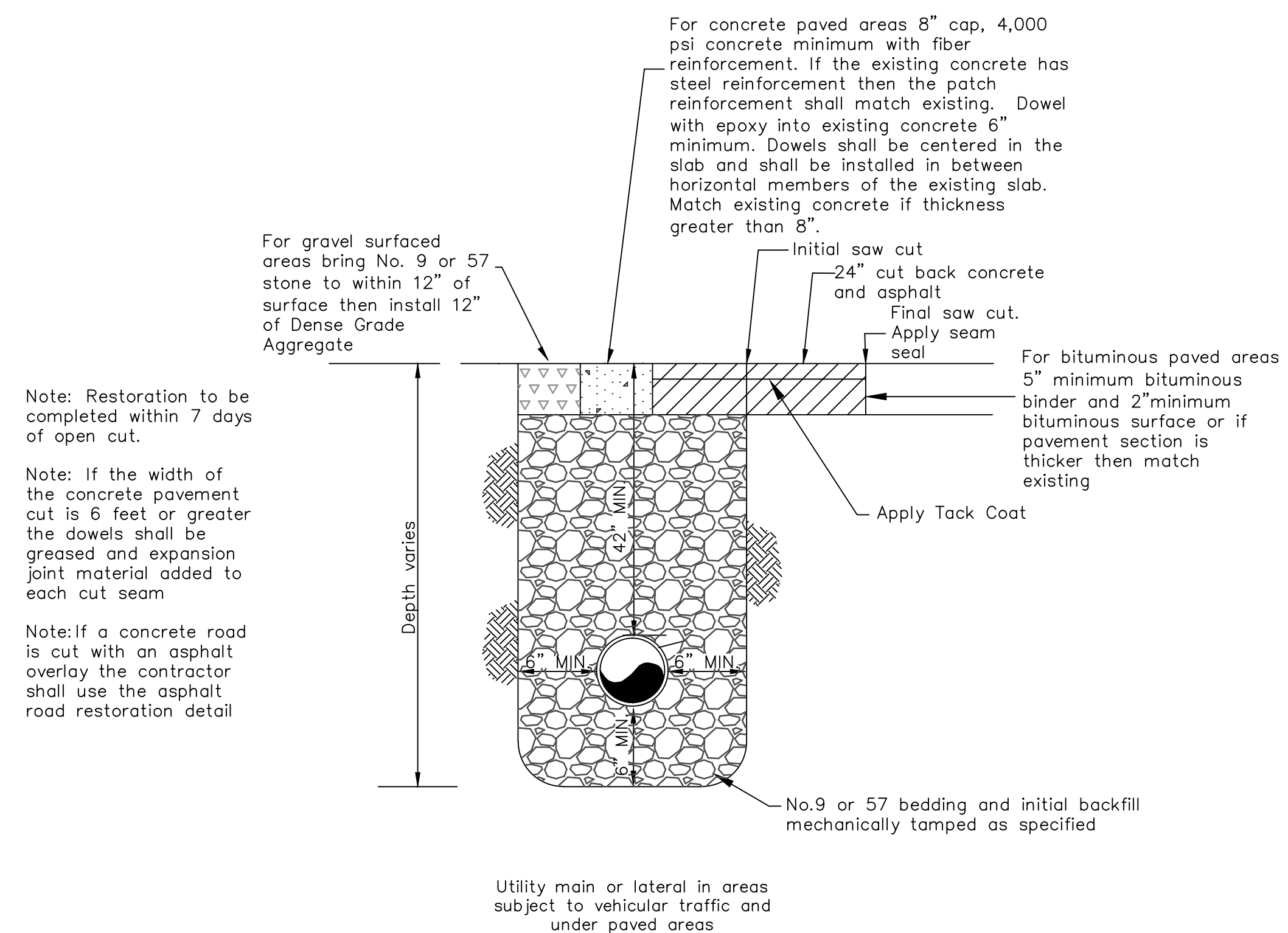
FT. KNOX TEMPORARY ROAD RESTORATION AND BACKFILL DETAIL



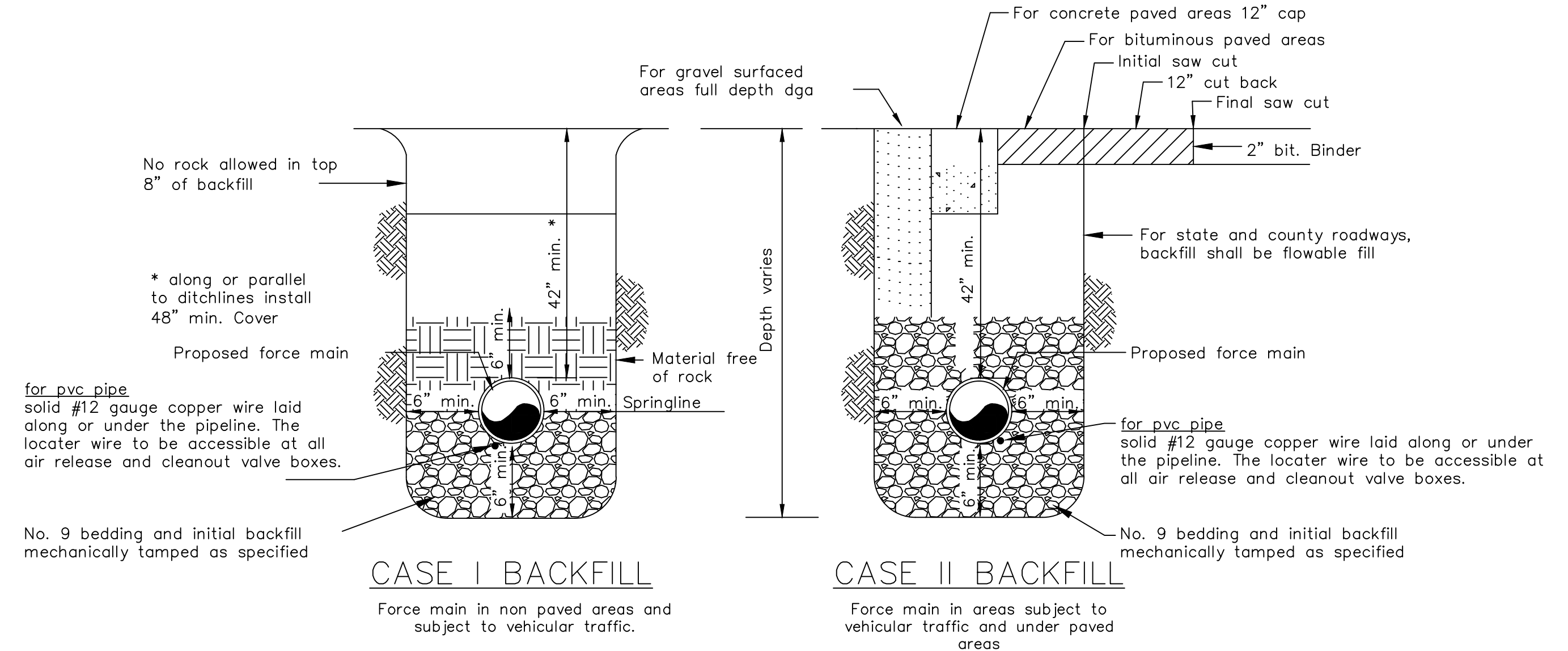
TWO-WAY CLEANOUT



ONE-WAY CLEANOUT



FT. KNOX ROAD RESTORATION AND BACKFILL DETAIL



SEWAGE FORCE MAIN TRENCH AND BACKFILL DETAIL

